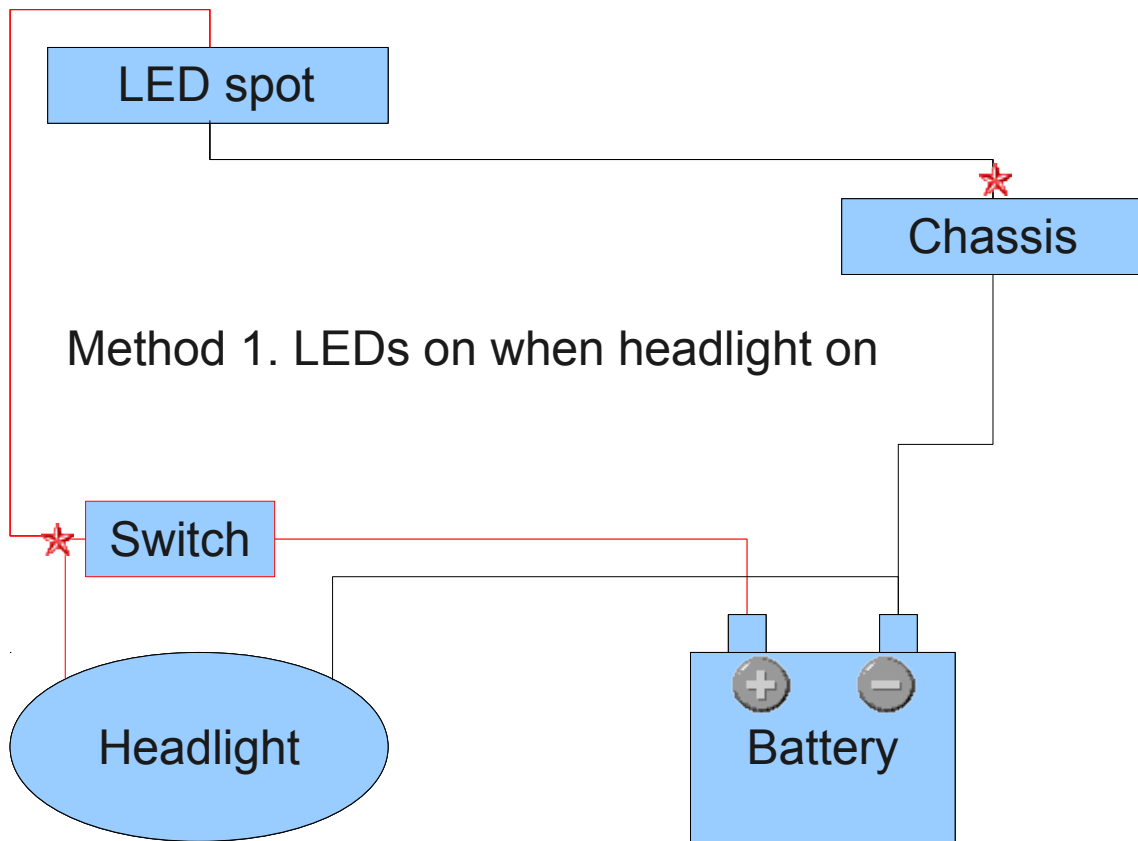
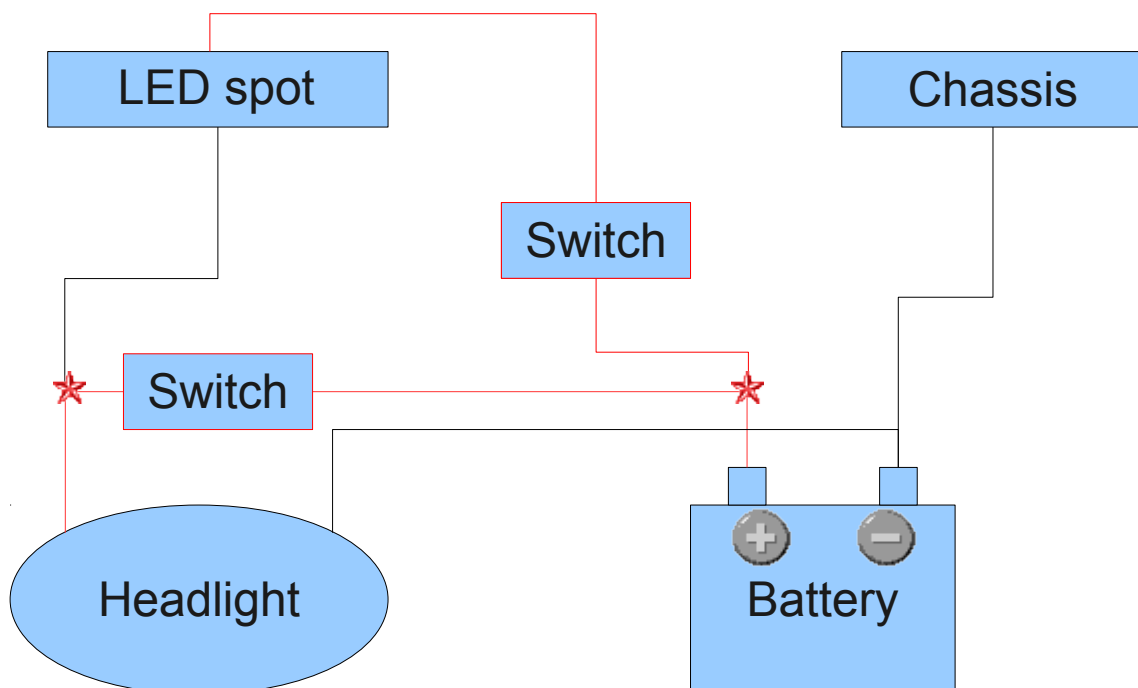


12v installations. (see later for 24v installations)

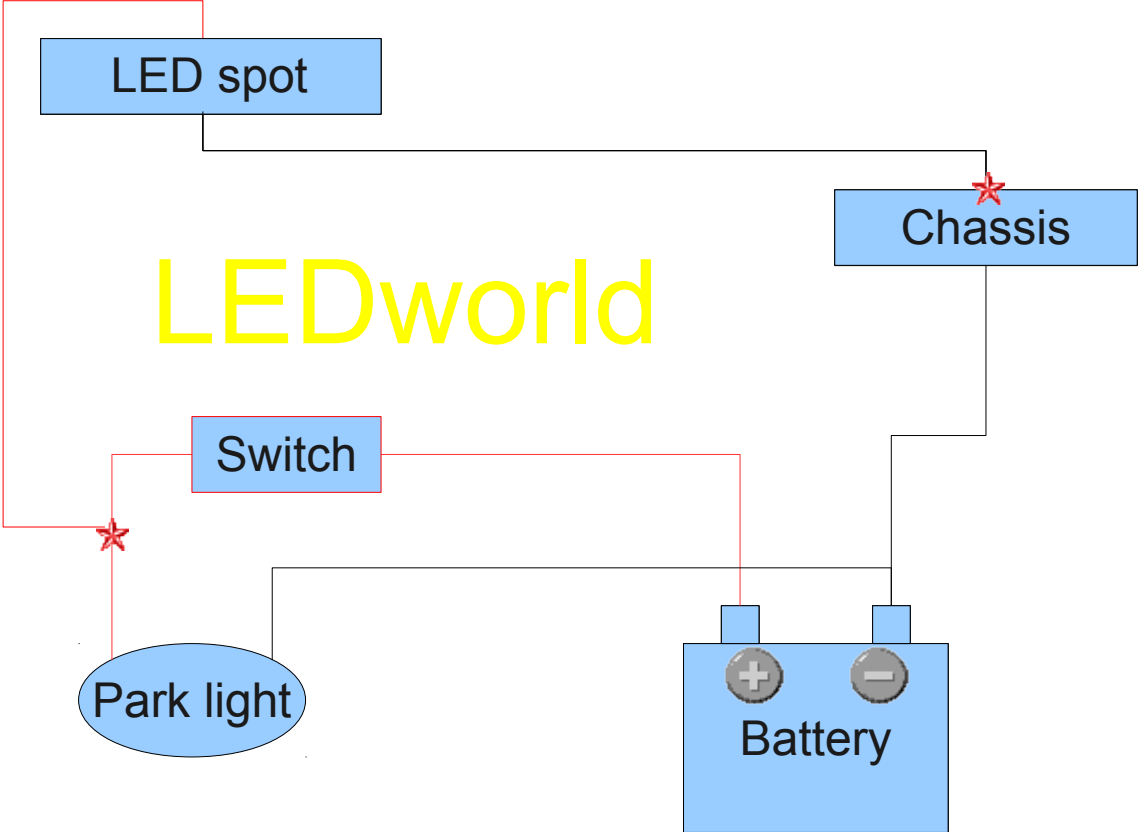


LEDworld

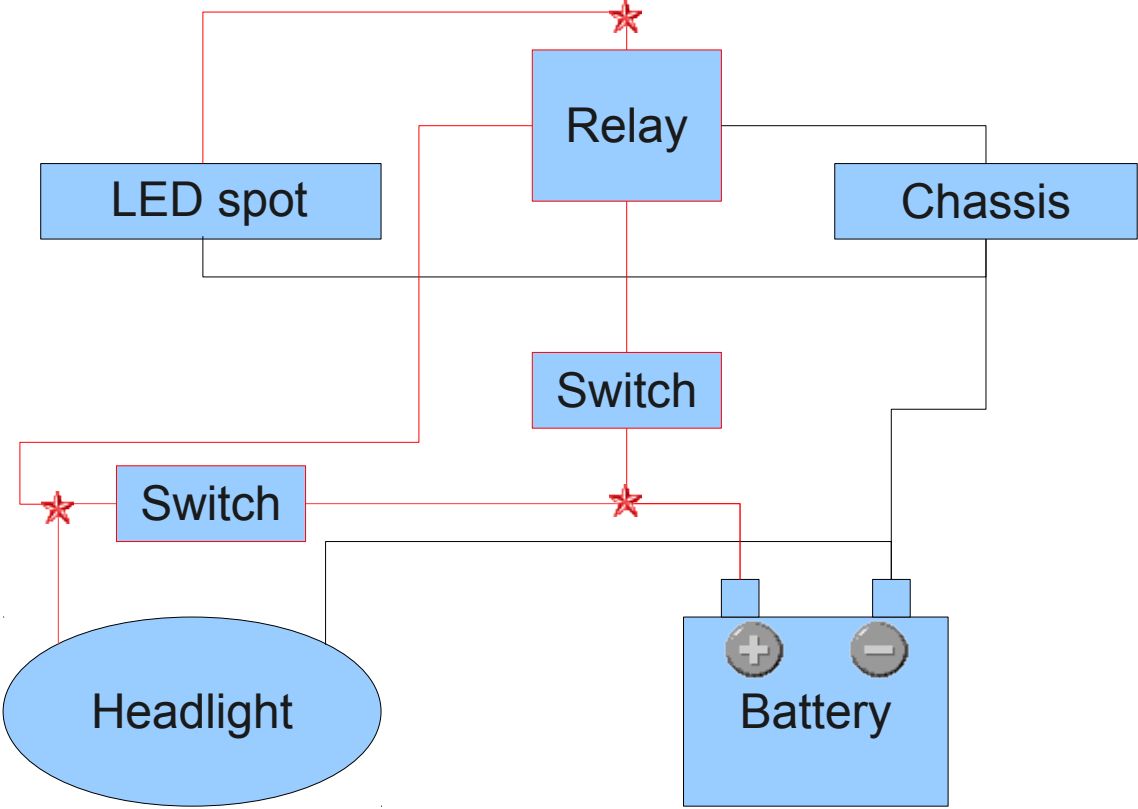
Method 2. LEDs on when headlight off, no relay



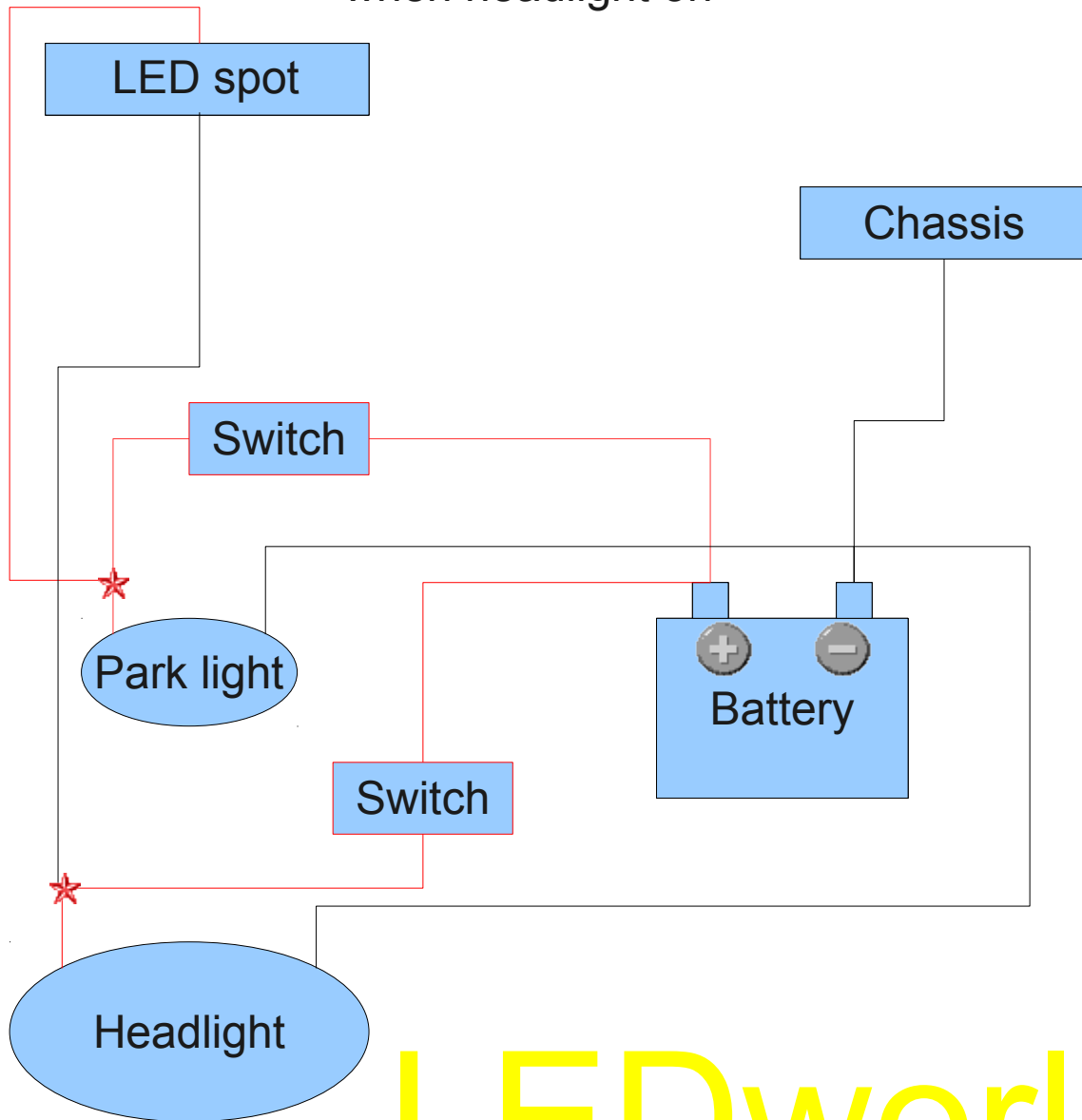
Method 3. LEDs on when park light on



Method 4. LEDs on when headlight off, using relay



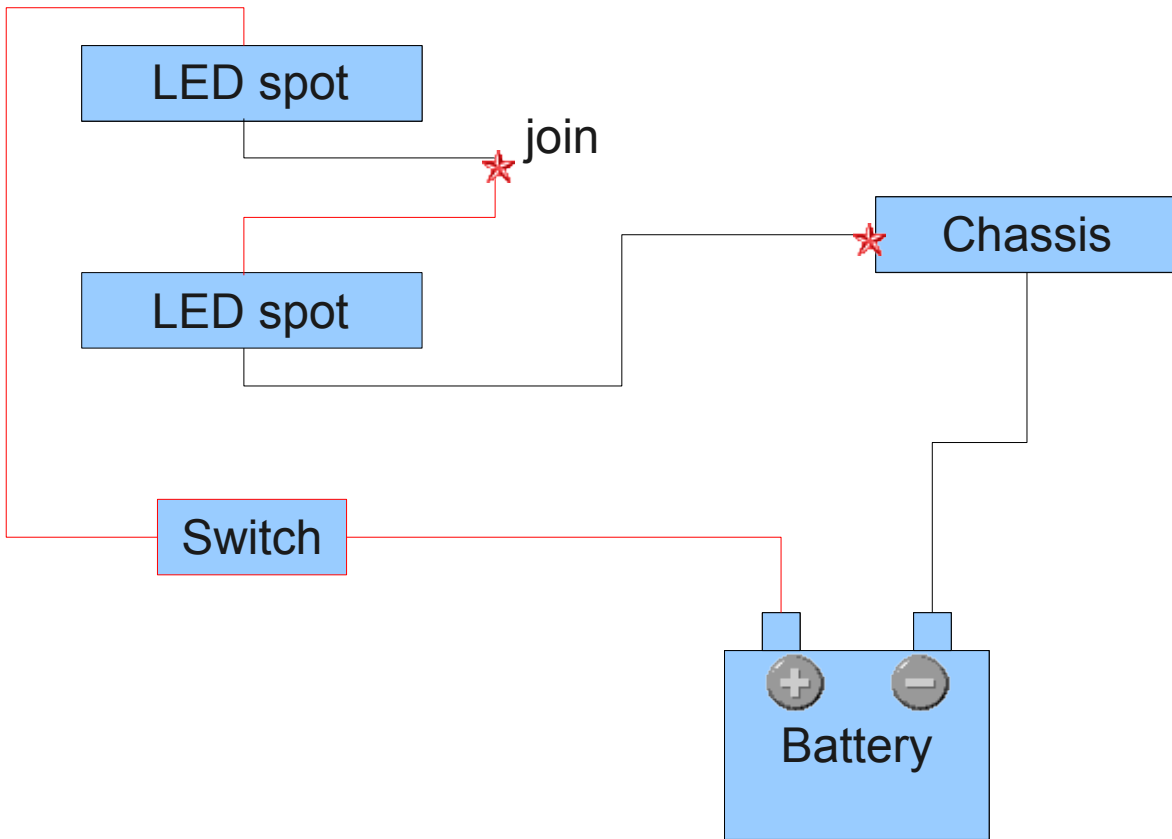
Method 5. LEDs on when park light on but turn off when headlight on



LEDworld

Notes: battery positive is usually taken from ignition circuit.
Fuses have been omitted for simplicity and are recommended close to ignition circuit

Method 6. 24v installation (series)



DO NOT connect each light separately. 12V lights will immediately blow if connected to 24v independantly

LEDworld

Method 7. 24v installation using resistor

